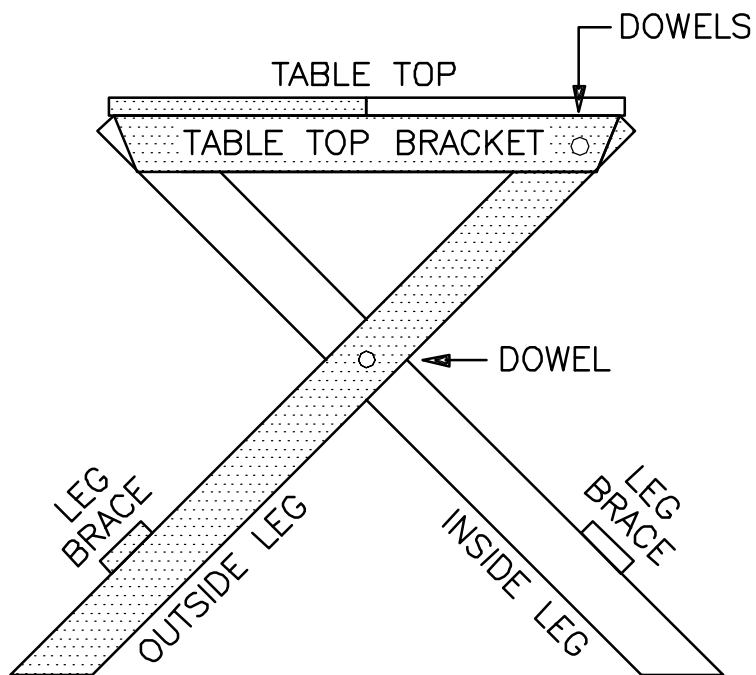
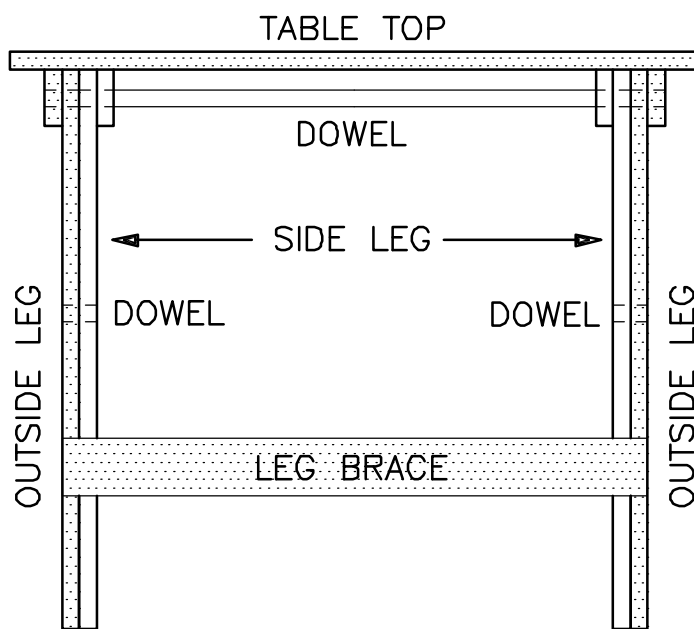


# ASSEMBLY DRAWING & MATERIALS LIST



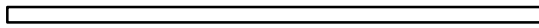
*SIDE VIEW*



*FRONT VIEW*

<i>MATERIAL</i>	<i>DESCRIPTION</i>	<i>QTY</i>
1x3x8'	LEGS, BRACKETS, BRACES	4
1x12 SLF	TABLE TOP	60"
3/4" DOWEL	DOWELS	36"

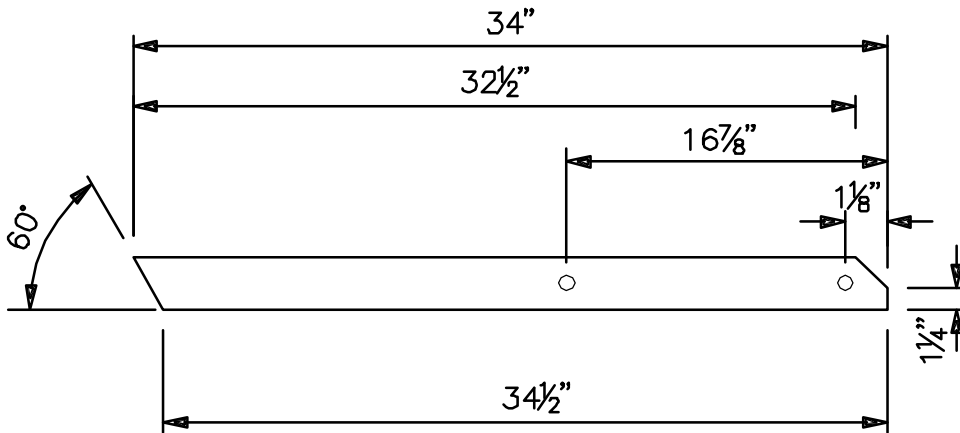
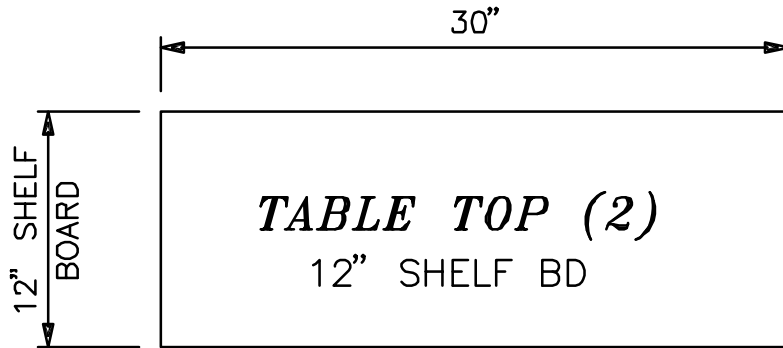
# MATERIALS LIST & PARTS LAYOUT



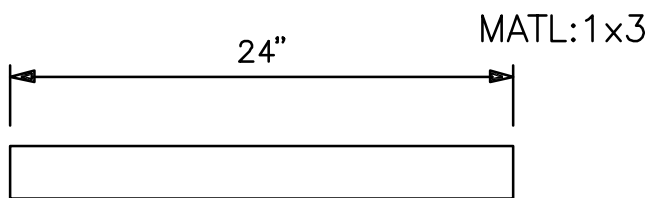
$\frac{3}{4}$ " x  $23\frac{1}{2}$ " DOWEL (1)



$\frac{3}{4}$ " x  $1\frac{1}{2}$ " DOWEL (4)

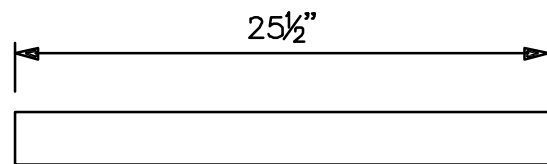


**TABLE LEGS (4)**



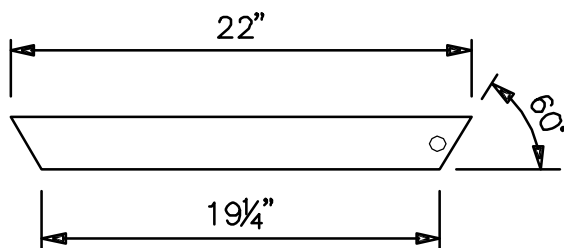
**LEG BRACE (2)**

MATL: 1x3



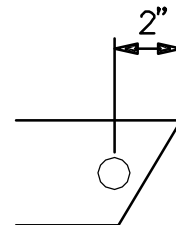
**LEG BRACE (2)**

MATL: 1x3



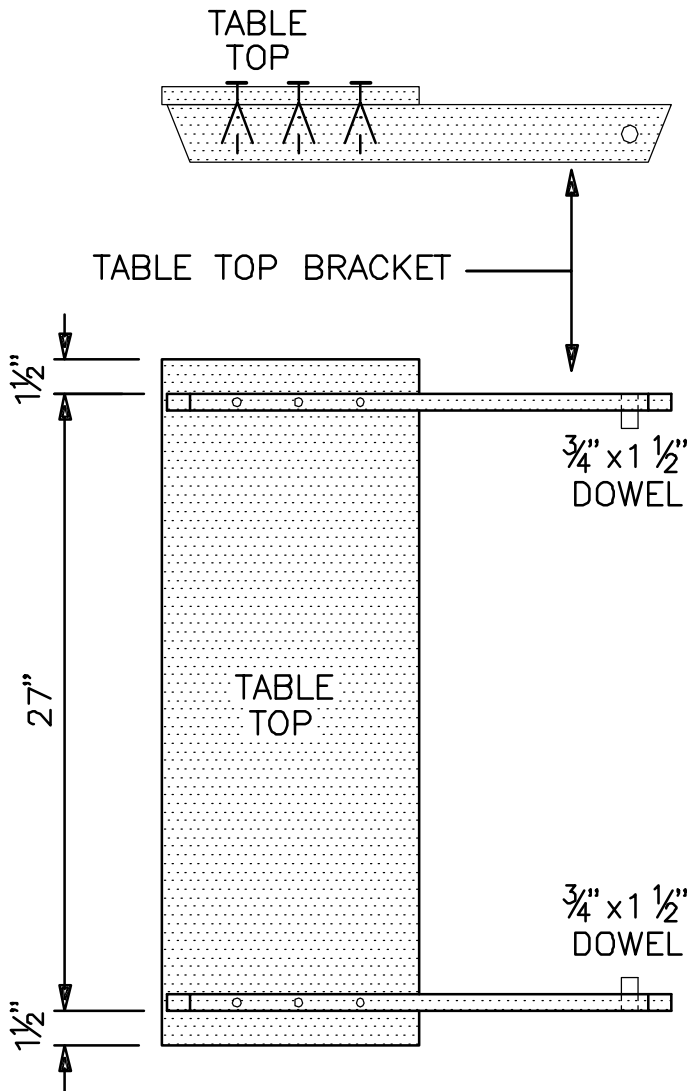
**TABLE TOP BRACKET (4)**

MATL: 1x3

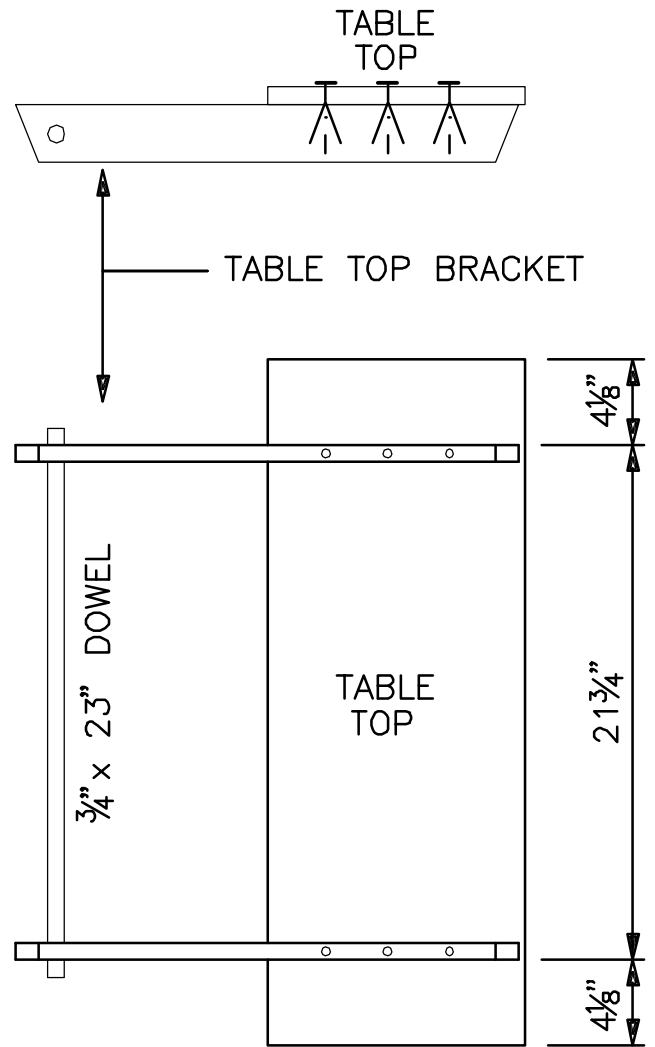


**FT3**

# TABLE TOP ASSEMBLY



**OUTSIDE TABLE  
TOP ASSEMBLY**

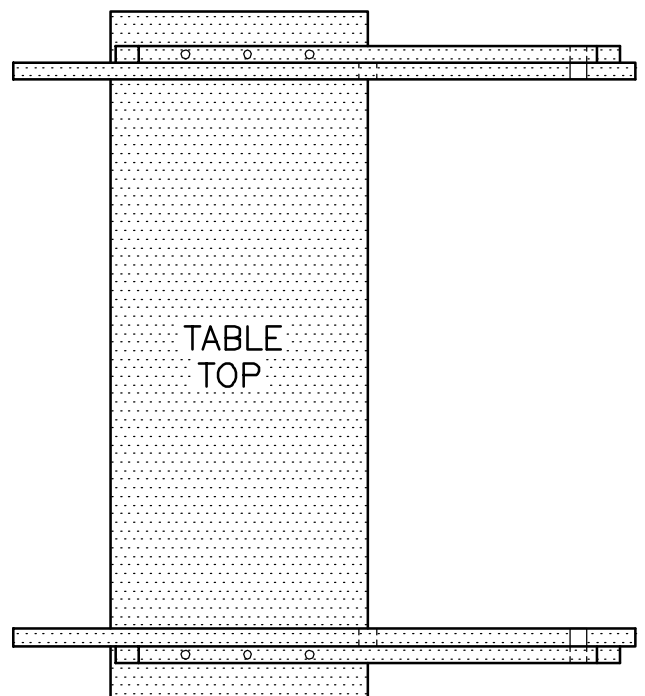
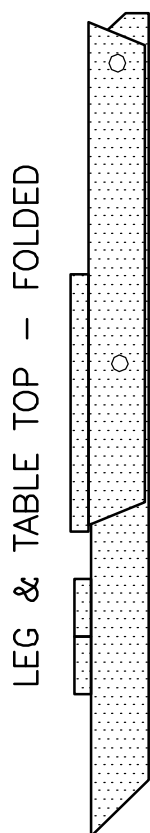
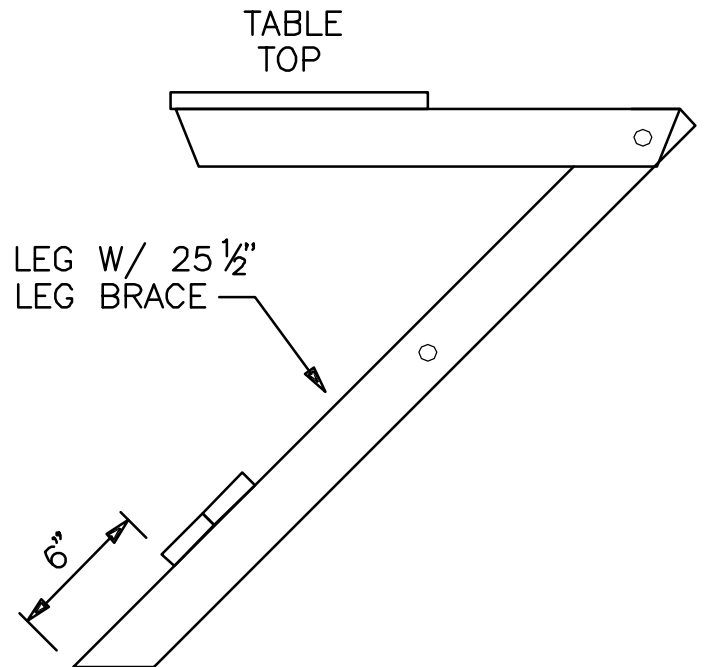
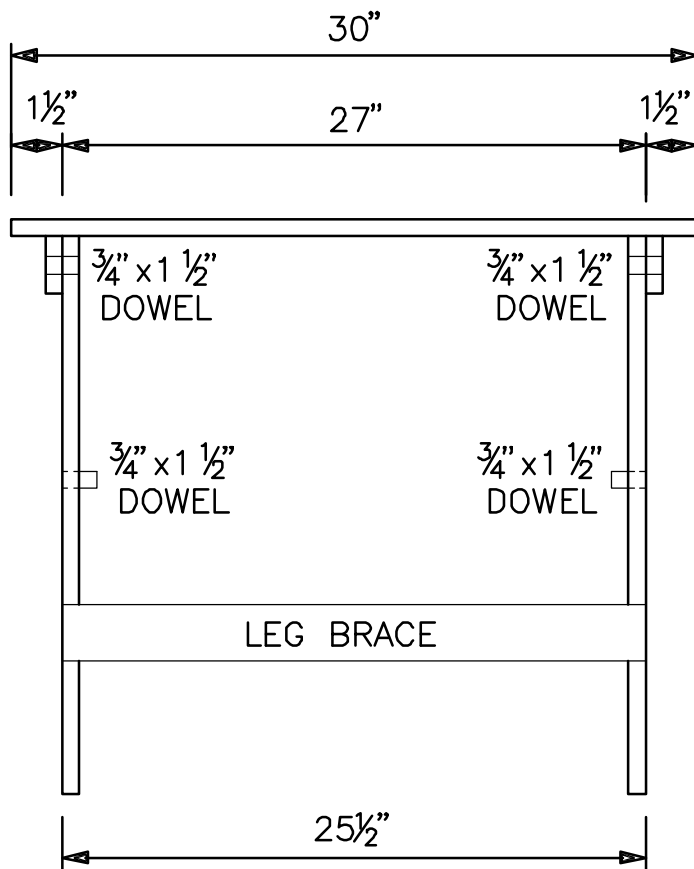


**INSIDE TABLE  
TOP ASSEMBLY**

## NOTES:

1. NAIL OR SCREW TABLE TOP BRACKET TO 12" SHELF BOARD WITH THREE 1 1/4" SCREWS AS SHOWN. PLACE BRACKETS TO DIMENSIONS INDICATED.
2. GLUE DOWELS IN PLACE TO TABLE TOP BRACKETS.

# OUTSIDE LEG & TABLE TOP ASSEMBLY



**FT5**

# INSIDE LEG & TABLE TOP ASSEMBLY

